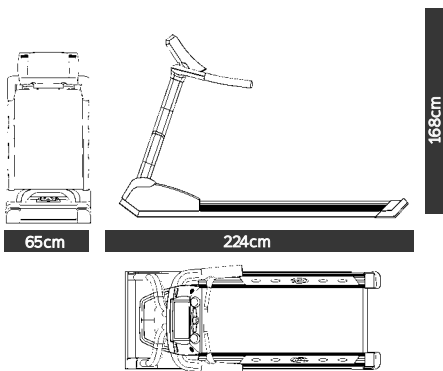


## G930: Crosstrainer SK9300

- Quick Trail Controls. Quick Trail Controls integrated at moving handlebars with Start, Stop and level selection buttons, which allow a customized training experience without renouncing to a full body workout.
- Minimum distance between pedals, for a correct and natural body position during exercise, minimizing stress at the lumbar area.
- Electromagnetic brake system with generator. Maximum reliability and precision. No need for electric mains except for the monitor. Touch sensitive monitor. It is easier to clean and more intuitive for a quick start by the user.
- Track & Track system (3 level articulated free motion) for a natural movement.
- Programs Manual, 8 preset profiles with 4 intensity levels each, User Program, Fitness Test for Men and Women, HRC and Distance Program.
- Casing: Hard-wearing ABS plastic and easy to clean. Frame: Aluminium and sturdy oval section steel tube ST52.
- Polar® telemetry heart rate monitoring: POLAR hand-grip system and POLAR telemetric system (optional)
- Genesis III: New generation of self-powered technology.
- 20 difficulty levels.
- Connection for mp3 and built-in speakers, which let the user listen to their own music while exercising.
- Drive system: maintenance free Poli-V belt. No chain means no oiling. No chain means no noise.
- Ultra reinforced chassis and oversized frame. Provides maximum strength and reliability during exercise.
- two-way elliptical movement.
- Bearings Heavy duty SKF bearings.
- Specifications:
  - Height: 168cm/66"
  - Width: 65cm/26"
  - Length: 224cm/88"
  - Maximum user weight: 190kg/419lbs
  - Weight: 85kg/187lbs



## G930: crosstrainer SK9300

- Two monitor option:

① **Smart Focus Monitor TFT capacitive Touch Screen of 16" HD**, besides of showing the evolution and training information (Speed, Time / Distance (km) Calories / Incline, Pulsation in watts, resistance, pulse, etc.), allows full connectivity to social networks, internet, television and applications thanks to the FitFeel interface that provides the fastest touchscreen technology of the market. With Smart Focus you can also customize the monitor, interact with users and customize workouts thanks to its Log in system for each user where they can save all the information of their workouts.

- USB port.
- Smartphones and iPods compatibility.
- Bluetooth Connectivity.
- CSAFE port.

② **LED Monitor: DOT MATRIX screen with top LED window** that graphically displays the progress of the exercise. The bottom alphanumeric display gives the user instructions before and during the exercise. The 4 LED windows at the very bottom simultaneously show information for Speed, Time/Distance, Calories/Tilt and Pulse rate.

